

VCNV-326R NEW

- ❖ 600TV Lines
- ❖ 3D-DNR
- ❖ D&N Support
- ❖ Built-in IR LED 24pcs

Family Looking Vandal Dome Series

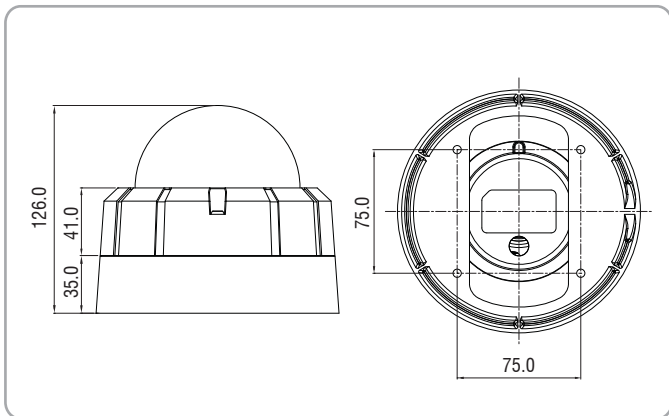


FEATURES

- 1/3 inch Super HAD II CCD
- Seamless AE Intelligent Control Solution
- High resolution of 600TV Lines of Color Resolution
- Built-in 3-D Digital Noise Reduction (3D-DNR) Filter
- Mechanical IR cut filter removable (TDN)-Built-in 24pcs IR
- ICR D&N function provides high quality images in both day and night
- HSBLC will darken / brighten image portions for clearer images
- Broader color temperature range AWB(1700°K ~ 11000°K)
- User friendly setting MD, Private Zone Masking
- Balun External Video Out Put
- 3-Aixs Gimbal
- IP67 aluminum diecasting, water proof structure
- Safety strap holds dome cover in place while making adjustments
- Wall or ceiling mount available

DIMENSIONS

Unit : mm



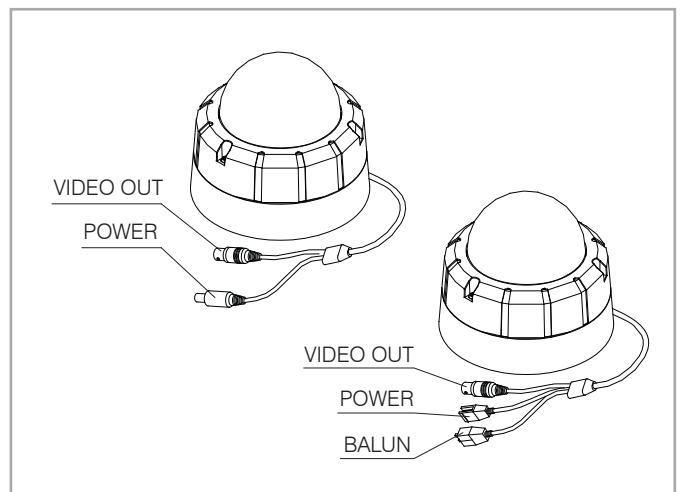
SPECIFICATIONS

MODEL	VCNV-326R	VCPV-326R
Image Sensor	1/3" Super HAD II CCD	
Total Pixels	811 (H) x 508 (V), 410K	795 (H) x 596 (V), 470K
Scanning System	2 : 1 Interface	
Scanning Frequency	15.734KHz , 59.94Hz	15.625KHz , 50Hz
Resolution	600TV Lines (700TV Lines B/W)	
Shutter Speed	1/60~1/90,000	1/50~1/90,000
Sens Up	ON/OFF (2x~128x)	
S/N Ratio	More than 52dB (AGC OFF)	
Sync.System	Internal / External (Line Lock)	
White Balance	ATW / AWC / Manual (1,700K~11,000K)	
OSD	Built-in	
D- Zoom	8X (Built-in Pan/Tilt)	
DNR	ON/ OFF (3D-DNR)	
Backlight Compensation	Off / WDR / BLC / HSBLC	
D&N	Color / BW / Auto (ICR Filter change)	
P.Masking	8 Zone	
Min.Illumination	0.0002 Lux / 0 Lux (IR ON)	
Lens	f=2.8~11mm Vari-focal (Fixed 3.6mm)	
Video Output	1Vp-p Composite (75 ohm)	
Power Supply	DC12V / AC 24V	
Power Consumption	4.4W	
Operating Temp.	-10°C ~ 50°C	
Operating Humidity	0%RH ~80%RH	

MODEL SELECTION

- ** VCNV-326R : Same spec With 24pcs IR built in.
- ** VCNV-326AR : Same spec With Dual Voltage, Heater and 24pcs IR built in.

CONNECTIONS



SPEED DOME CAMERA
RUGGED PTZ CAMERA
CONTROLLER
ZOOM CAMERA
BOX CAMERA
VANDAL & PLASTIC
IR BULLET CAMERA
RAPPORT
SPECIAL
HOUSING & ACCESSORY